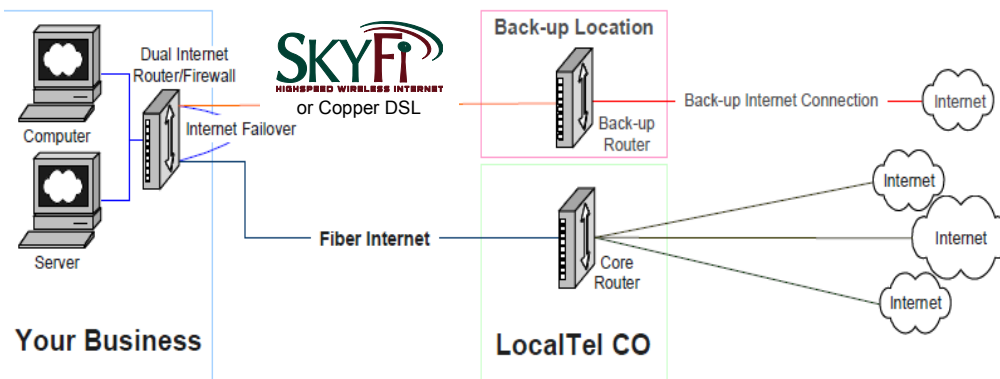


**What would happen if your business Internet or phone lines went down?
Could your employees do their work? Could your customers still reach you?
Is safety a concern?**

Telephone service used to be considered the "lifeline" of a business, but in these times, internet is just as important. Because LocalTel understands how critical phone & Internet services are to your business, we have developed a new set of safety features called "DoubleNet". LocalTel has the exclusive technology and capability to deliver this unique service in the Wenatchee area where PUD Fiber, SkyFi Wireless and/or Copper services are available. Because of our unique technology, we are able to offer these DoubleNet services at a very reasonable price.



LocalTel's Internet:

- ▶ Award Winning Internet Service
- ▶ Largest Internet Pipe(s) in NCW
- ▶ 4 Unique Routes to the Internet
- ▶ Environmentally Sealed
- ▶ Denial of Service (DOS) Filters
- ▶ Load Balanced Servers
- ▶ Virus Filtered & Traffic Prioritized
- ▶ Hot Swap Equipment
- ▶ Spares on Hand
- ▶ Monitored 24/7
- ▶ UPS Battery Supply
- ▶ Diesel Powered Back-ups

How it works:

LocalTel will add a Dual Internet Connection in addition to your existing primary Fiber Internet Connection. LocalTel will then add a Dual Internet Router which will constantly monitor your network connections; if your primary Fiber Internet Connection goes down, the Dual Internet Router will automatically failover to your SkyFi Wireless or Copper DSL Connection. When the Fiber Internet comes back up; the Dual Internet Router will automatically revert back to your Fiber Internet Connection.

Back-up SkyFi Features: The basic DoubleNet Internet starts with a SkyFi Wireless Connection with a minimum 10 Mbps download speed and 2 Mbps upload speed. DSL may be an option in some areas.

Independent Equipment Housed Off-site: All of the equipment to route the SkyFi connection to the Internet is racked in an independent location off-site of the LocalTel CO (Central Office).

Triple Redundant Active Routes to the Internet: LocalTel has also built into its Internet architecture triple redundancy using three distinctly separate companies and routes to the Internet. Using Load Balancing, the servers choose the fastest and most efficient route to the Internet.

Fortigate Router Features: LocalTel will install a FortiGate Router on your network. This router comes with two incoming Internet ports; Fiber Internet will be connected to the primary port and SkyFi Internet to the secondary port. If the Fiber Internet goes down, the router will automatically switch to the Copper Internet Port with almost no interruption in service. When the primary Fiber Internet Port comes back up, the router will automatically revert back to the Primary Fiber Connection.

Secure all of the technology you rely on to do business...

BACK-UP-MY-PHONE SERVICE:

LocalTel will add or replace one of your Fiber phone lines with a copper line. If for some reason your Fiber line goes down, your copper line will “failover” and continue to work. Your business can still receive and place calls. When the fiber lines come back up, everything will automatically return to normal. *Some exceptions may apply.



Add a Key Line: LocalTel will convert a Key Phone Line in your hunt group with either a Copper Key Line (if your lines are now fiber) or a Fiber Key Line (if your lines are now on copper).

Failover Protection: If the Fiber phone line fails, our technology will automatically look for the available line (number) in the hunt group that is still operational, and then ring on that line. *Some exceptions may apply.

Voicemail Functionality: Because you have one line still in operation your voicemail will continue to work if it is properly set up ahead of time. *Some exceptions may apply.

BACK-UP-MY DATA:

With LocalTel’s RDS (Remote Data Storage), data back-ups are automatic and stored off site on our terabyte servers. If anything happens to your computers or servers, your data is safe and easily restored to any repaired or replaced computer.

It’s Simple! Using an easily installed module, you choose which files you want to back-up and when. It can be atomized to back-up on any specific day and time, or instantly backed-up at any time.

How much Data is Backed Up: You can purchase blocks of storage that allow you to back-up as little or as much as you want. If you go over your limit, we will just bill you for the excess amount used.

Where is the Data Stored: On LocalTel’s Remote Secure Terabyte Servers.

Restoring my Stored Data: If your computer or server crashes, all saved data is easily restored to any computer or server you choose. **Note:** See Remote Data Storage Form for more information...

BACK-UP-MY-EMAIL:

Back-up up to 100MB of e-mail storage per e-mail user on our servers.

Free 100MB of e-mail Storage: Outlook and other e-mail programs have settings to use this feature or you can just use our Web-mail option. Additional blocks of e-mail storage are available.

Surpassing the Limit: If you are about to pass your e-mail storage limit, LocalTel will automatically send you a warning notification so you can delete unwanted e-mails being stored. **Note:** Neglecting the warning notification could result in a “mailbox full” notification sent back to any sender.

BACK-UP-MY-MAIL SERVER SPOOLER:

If your company uses their own “mail server” LocalTel now offers back-up e-mail spooling. If your “mail server” goes down incoming e-mails are kept on our LocalTel e-mail spooler until your “mail server” comes back up. Then all your e-mails will be delivered as normal instead of returned to sender as undeliverable.

A few reasons why e-mail servers fail:

- Local loop (internet connections) failures
- Email server failures due to power outages, accidents or vandalism
- Email server failures in the form of computer virus
- Disaster circumstances that destroy actual servers
- Inevitable "routine" hardware failures of email servers

Back-up-My-email Server Spooler: This service backs up your mail server in case it should fail. If your mail server fails, LocalTel’s spooler will automatically detect the failure and temporarily store all your e-mails. When your mail server comes back up, LocalTel’s spooler will automatically download all your e-mails to your mail server’s spooler.

Failover or Continues Option: LocalTel offers two options.

Failover: Works if LocalTel detects or is notified that your mail server is down.

Continues: All e-mails route through our e-mail spooler before they are delivered to your mail servers spooler. This is a fail-safe option that does not require automated or direct notification.

BACK-UP-MY-WEBSITE:

With this additional service, web-sites hosted by LocalTel will archive a complete copy of your web-site each week. If your site is hacked or crashes, all that you need to do is restore it from of the archived copies.

How Long will Archives be Stored? This archive will be stored as long as the subscription calls for, i.e. if your back-up subscription is for 1 month of archives, you will have 4 archives available to choose from.



1) FASTEST INTERNET AVAILABLE!

With speeds of up to 100 x 100 Mbps, LocalTel offers the Highest Bandwidth and the Lowest Latency available. All Day, All night, with no bottlenecks during peak hours. If you are not getting Full Speed, we will help you figure out where the problem is within your home, or on the way to us.

2) BEST PRICING

LocalTel's Price for 100 x 100 Mbps Internet over Fiber with a static IP address is the lowest in the State of Washington. Our prices aren't the "promo limited time offer" pricing other companies have. Everyone gets our everyday LOW prices!

3) UNLIMITED DOWNLOAD

Residential customers can experience UNLIMITED Downloading and watch all the movies you want! Enjoy Gaming, Music, Email, Web-Surfing and Streaming Video, without having to worry about your bill!

4) GET YOUR OWN STATIC PUBLIC IP ADDRESS

All LocalTel customers get their very own, never changing Static PUBLIC IP Address, which allows better connections for Streaming Video and Gaming. No other company does this for FREE.

5) NETFLIX and AKAMAI PARTNERSHIPS (Apple, Amazon, Vudu, etc.)

LocalTel is now partnered with NETFLIX and AKAMAI. Their servers are located in our Wenatchee Network Operations Center. No more going to the Internet to get your movies! This partnership allows for faster and better quality streaming of your favorite movies to your TV or multi-media devices. Our connections with these companies will Save You Money!

6) LOCALTEL IS YOUR LOCAL SPEEDTEST.NET!

We ARE the SPEEDTEST.NET Testing Center for all of Eastern Washington. Be assured that you are getting the speeds you are paying for by going to speedtest.net and choosing the location you want to speed test to. Use speedtest.nwi.net if you are already a LocalTel customer. Speed is the name of our game!

7) GOOGLE - MICROSOFT - YAHOO PRIVATE CONNECTIONS TO LOCALTEL

LocalTel is peered privately and directly connected to Google, Microsoft, Yahoo and many other content providers and ISP's. This allows for faster, more reliable connections to these companies.

8) AWARD WINNING LOCAL TECH SUPPORT

LocalTel is proud to offer LOCAL Technical Support 16 hours a day, 7 days a week. Our highly trained Tech Support Team is located right here in NCW and is able to offer tech support on ALL the wireless Internet based devices you have in your home. We guarantee to give you our "Best Effort" support to connect your router and all of your Smart Phones, Droids, X-Boxes and other IP devices in your home.

9) LARGEST UPSTREAM FEEDS TO THE INTERNET

We provide three different 10Gig Internet feeds to Seattle and Portland, each on an independent 10Gig path capable of carrying all of our Internet traffic for every customer, with no congestion.

10) SKYFI WIRELESS INTERNET

We are pleased to now be offering SkyFi Wireless Internet. SkyFi offers a variety of high speed affordable Internet options for areas where PUD Fiber is not available. SkyFi also is used to provide an alternate back-up route to the Internet for an home or business that relies heavily on the Internet for their daily operations.

11) OK, THERE ARE MORE THAN 10.... "FiberTalk" \$10 BUSINESS PHONE LINES

Because of the High Quality and Speed of our Internet Service, our new product "FiberTalk" Voice over Internet Phone Service offers you \$5 Home or \$10 Business VoIP phone lines for a fraction of a traditional line.

A la Carte pricing means you can add Phone Features, Voicemail or Unlimited Long Distance if you choose!

LocalTel is locally owned and has been bringing the latest in telecommunications and technology to all of North Central Washington for over 30 years.

DoubleNet - Back-up My Business Order Form

Business Name: _____ Customer # _____ Date: _____

Physical Address: _____

Mailing Address: _____

Business Phone: _____ Contact Person: _____ Contact Phone #: _____

New Service Change in Service: _____

Gala Package with Back-up - \$132.79*

- 1 Fiber B1 Line - \$28.22
- 1 Copper B1 Line - \$32.72
- Call Forward Busy/No Answer - N/C
- Caller ID on Both Lines - \$10.00
- Fiber Internet 6Mb/384Kb - \$19.95
- Back-up DSL Internet 1.5Mb/384Kb - \$21.95
- FortiGate Dual Internet Router 50B (lease) - \$24.95

Fuji Package with Back-up - \$189.78

- 2 Fiber Key Lines - \$64.44
- 1 Copper Key Line - \$37.72
- 1 Fiber B1 Utility Line - \$28.22
- Caller ID on all four lines - \$10.00
- Fiber Internet 6Mb/384Kb - \$11.95
- Back-up DSL Internet 1.5Mb/384Kb - \$14.95
- FortiGate Dual Internet Router 30D (lease) - \$24.95

Back-up-My-Business Basic Package:

1 Key Copper Phone Line (converting an existing Fiber line) - \$44.95

- DSL Back-up 1.5Mb/384 Internet Connection
- FortiGate Dual Internet Router 50B (lease)

Back-up Phone Upgrade:

1 Key Copper Line (new line) - Add \$32.22

Back-up Internet Upgrades:

- 3Mb/768Kb DSL - Add \$10.00
- 6Mb/768Kb DSL - Add \$20.00
- 10Mb/768Kb DSL - Add \$40.00
- T1 - 1.5x1.5 (In City of Wenatchee, Outside - Quote Only) \$300.00
- Bonded Internet - 3x3 or 45x45 - By Quote Only
- FortiGate Router Wireless - Add \$5.00 per month

Back-up-My Internet only:

1.5Mb/384Kb DSL Back-up Internet Connection - \$39.95

- FortiGate Dual Internet Router 50B (lease)

Back-up Internet Upgrades:

- 3Mb/768Kb DSL - Add \$10.00
- 6Mb/768Kb DSL - Add \$20.00
- 10Mb/768Kb DSL - Add \$40.00
- Pico Station Wireless Antenna - Add \$10.00

Back-up-My-Phone only:

1 Key Copper Phone Line - Add \$5.50
(replacing an existing Fiber line)

Phone Upgrade:

1 Key Copper Line (new line) - Add \$32.22

Back-up-My-E-mail:

Includes: 100MB of Storage - Free

Upgrade E-mail Storage:

- 100MB of Additional Storage - \$1.95
- 500MB of Additional Storage - \$7.95
- 1GB of Additional Storage - \$12.95

Back-up-My-Data: RDS - Remote Data Storage

25GB Storage Block (Compressed Data) - \$9.95

Back-up-My-Mail Server Spooler:

- Failover Spooling of incoming E-mails - \$5.00
- Upgrade to Continues Spooling - \$10.00

RDS Additional Usage Pricing Tier:

Minimum GB	Maximum GB	Monthly Rate
0 (Res.)	12.5	4.95
0	25	9.95
26	50	17.95
51	100	24.95
101	250	49.95
251	500	74.95
501	1000	99.95
1001	2000	199.95
2001	3000	299.95
3001	4000	399.95
4001	5000	499.95

Back-up-My-Website:

- 1 Month (4 Archived back-ups) - \$5.00
- 3 Month (12 Archived back-ups) - \$10.00
- 6 Month (24 Archived back-ups) - \$15.00
- 12 Month (52 Archived back-ups) - \$20.00

Notes: *Prices listed are per month. May 2015

It is LocalTel's desire to offer the absolute best Telephone Internet and TV services possible. Back-up-My-Business is a carefully engineered attempt to make our services more reliable even in the event of an outage. Even then, LocalTel cannot guarantee a consistent and uninterrupted supply of service. Notwithstanding, LocalTel shall not be liable for any consequential, incidental, indirect, direct, or special damages or lost revenues or profits, arising from any interruption, suspension, curtailment, acts of God, or fluctuation of said services. LocalTel' total liability for any claim or demand arising from the use of LocalTel's Network shall not exceed the amount or prorated amount of the rates and fees paid by the customer during the said interruption of service.